

# Datasheet

## YSL150F-150W-CC Series

**FORTEC**  
UNITED STATES

**FORTEC**  
INTEGRATED

**FORTEC**  
UNITED KINGDOM

---

The information contained in this document has been carefully researched and is, to the best of our knowledge, accurate. However, we assume no liability for any product failures or damages, immediate or consequential, resulting from the use of the information provided herein. Our products are not intended for use in systems in which failures of product could result in personal injury. All trademarks mentioned herein are property of their respective owners. All specifications are subject to change without notice.

---

**YSL150F-150W-CC SERIES**



**Input: 100-240VAC/200-240V 50-60Hz**  
**Output Current: depend on requirement**  
**Rated Power: 150W max**

**Features**

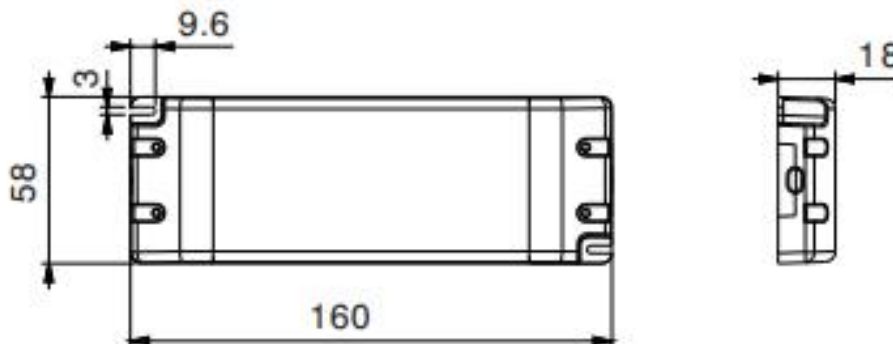
- Universal Input: 100-240V/200-240V AC 50-60Hz
- RoHS Compliance
- EMI Standard EN55015
- Safety Standard: EN61347-1, EN61347-2-13, UL8750
- Inrush current < 65A AC230V/50Hz
- High efficiency & low power consumption
- Short Circuit, Over Current and Over Voltage Protection
- Over temperature protection
- 100% full load burn-in test

**Application**

LED lights bring  
 LED indoor lighting  
 LED decorative lighting  
 LED building lighting



**■ Dimensions and Installation**



## YSL150F-150W-CC SERIES

MODEL DETAIL SPEC. (allow for customized)		YSL150F-1400	YSL150F-2100	YSL150F-3600	YSL150F-4200
INPUT	Input Voltage:	100-240VAC/ 200-240VAC			
	Input Frequency:	50-60Hz			
	Inrush Current:	65 Amps max. at 230VAC/50Hz,full load			
	AC Current:	0.85A/230VAC			
	Leakage Current:	< 0.35mA/240VAC			
	Efficiency:	91%	91%	91%	91%
OUTPUT	Rated Current:	1400mA	2100mA	3600mA	4200mA
	Rated Voltage:	70-107V	45-71.4V	30-41.7V	25-35.7V
	Rated Power:	150W	150W	150W	150W
	Current Tolerance:	±5.0%	±5.0%	±5.0%	±5.0%
	Ripple and Noise:	<5%	<5%	<5%	<5%
	Line Regulation:	±3%			
	Load Regulation:	±5%			
	Setup, Rise, Hold Up time:	1s, 10ms/60ms 230VAC 1000ms, 1ms/25ms 115VAC at full load			
ENVIRONMENTAL	Operating Temperature:	-20 ~ +50 (Refer to "Derating Curve")			
	Storage Temp:	-40°C ~ 85°C			
	Storage Humidity:	20 ~ 95% RH			
	Working Humidity:	20 ~ 95% RH non-condensing			
PROTECTION	Over Load:	Above 105%-130% rated output power			
		Protection type: Hiccup mode, recovers automatically after fault condition is removed			
	Over Voltage:	Above 105%-130% rated output power			
Protection type: Shut down o/p voltage, re-power on to recover					
Over Temperature:	Shut down o/p voltage, re-power on to recover				
SAFETY & EMC	Safety Regulations:	EN61347-2-13:2014+A1:2017,EN61347-1:2015;EN62493:2015			
	Withstand Voltage:	I/P-O/P:3750KVAC			
	Harmonic	EN61000-3-2 Class C EN61000-3-3			
	EMI:	Compliance to EN55015			
	EMS :	compliance to 61547:2009			
OTHER	MTBF:	200,000 Hours Minimum at Full Load at 25°C Ambient			
	Size:	160*58*18mm			
	Weight:	5000g / pcs			
	Packaging:	100PCS/CTN,37.5*28.5*24cm			

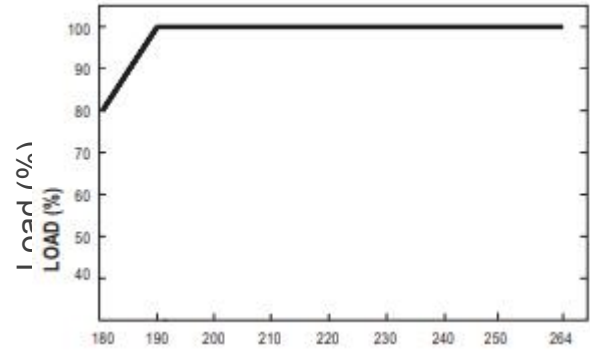
**YSL150F-150W-CC SERIES**

**Deduction curve and temperature**



Environment temperature(°C)

**Minus output and input voltage curves**



Input voltage(VAC)

**Functional Diagram**



Our company network supports you worldwide with offices in Germany, Austria, Switzerland, the UK and the USA. For more information please contact:

## FORTEC

GROUP

FORTEC Elektronik AG | Augsburgener Straße 2b | 82110 Germering  
+49 89 894450-0  
[info@fortecag.de](mailto:info@fortecag.de) | [www.fortecag.de](http://www.fortecag.de)

---

## FORTEC

INTEGRATED

FORTEC Integrated GmbH | Augsburgener Straße 2b | 82110 Germering  
+49 89 894363-0  
[info@fortec-integrated.de](mailto:info@fortec-integrated.de) | [www.fortec-integrated.de](http://www.fortec-integrated.de)

## FORTEC

POWER

FORTEC Power GmbH | Lise-Meitner-Straße 3 | 64560 Riedstadt  
+49 6158 8285-0  
[weborder@fortec-power.de](mailto:weborder@fortec-power.de) | [www.fortec-power.de](http://www.fortec-power.de)

## FORTEC

EGYPT

FORTEC Electronic Design and Solution Egypt SMLC | Linx Business Park  
Unit B318 | Smart Village | Giza Governorate  
[info@fortec-integrated.de](mailto:info@fortec-integrated.de) | [www.fortec-integrated.de](http://www.fortec-integrated.de)

Autronic Steuer- und Regeltechnik GmbH | Siemensstraße 17  
74343 Sachsenheim  
+49 7147 24-0  
[vertrieb@autronic.de](mailto:vertrieb@autronic.de) | [www.autronic.de](http://www.autronic.de)

## FORTEC

CZECH REPUBLIC

FORTEC Czech Republic s.r.o. | Přátelství 275 | 330 02 Dýšina  
+49 89 894363-0  
[info@fortec.cz](mailto:info@fortec.cz) | [www.fortec.cz](http://www.fortec.cz)

## FORTEC

UNITED STATES

FORTEC United States, Corp. | 87 Raynor Avenue Unit 1 | Ronkonkoma  
NY | 11779 | +1 631 5804360  
[info@fortec.us](mailto:info@fortec.us) | [www.fortec.us](http://www.fortec.us)

## FORTEC

SWITZERLAND

FORTEC Switzerland AG | Bahnhofstraße 3 | 5436 Würenlos  
+41 44 7446111  
[info@fortec.ch](mailto:info@fortec.ch) | [www.fortec.ch](http://www.fortec.ch)

## FORTEC

UNITED KINGDOM

FORTEC Technology UK Ltd. | Osprey House | 1 Osprey Court  
Hinchingsbrooke Business Park | Huntingdon | Cambridgeshire | PE29 6FN  
+44 1480 411600  
[info@fortec.uk](mailto:info@fortec.uk) | [www.fortec.uk](http://www.fortec.uk)